

WORKSHEETS

Exodus 25:10-22 describes the ark,
the lid of atonement and the 2 kerubim

Measurements for the ark (v 10):

_____ long

_____ wide

_____ high

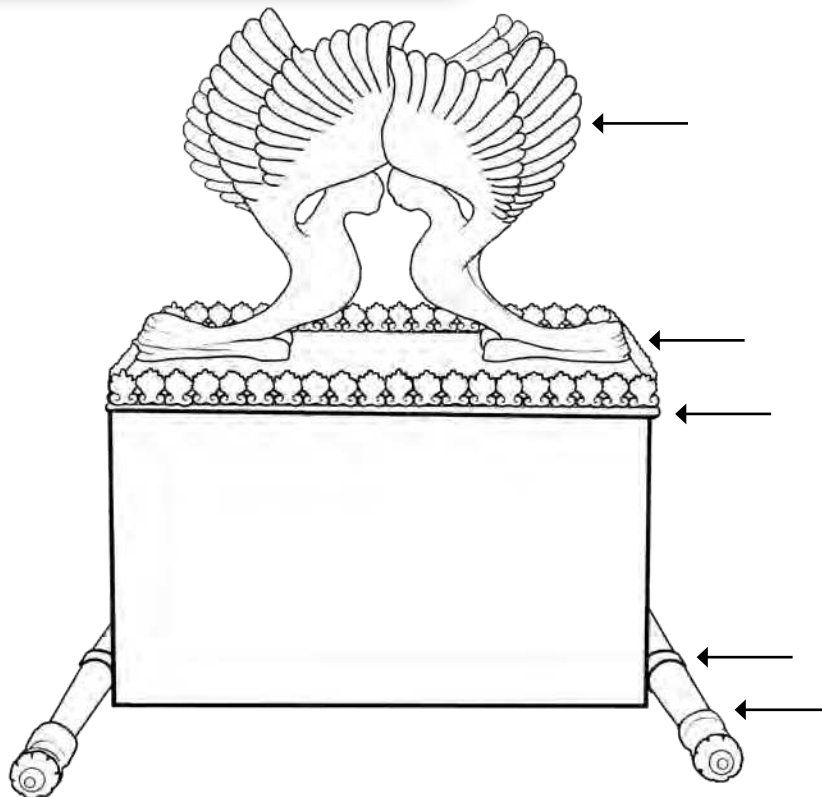
Measurements for the lid of atonement (v 17):

_____ long

_____ wide

Label the following:

- (a) kerubim
- (b) lid of atonement
- (c) molding
- (d) poles
- (e) rings



The ark and the poles are made of _____ (v 10, 13)

The ark and the poles are overlaid with _____. (v 10-11)

The rings, lid of atonement and kerubim are made of _____. (v 12, 17, 18)

Indicate how many of each: rings (v 12) _____ poles (v 14) _____ kerubim (v 18) _____

What was placed inside the ark? _____ (v 16)

Exodus 25:23-30 describes the table of showbread

Measurements for the table of showbread (v 23):

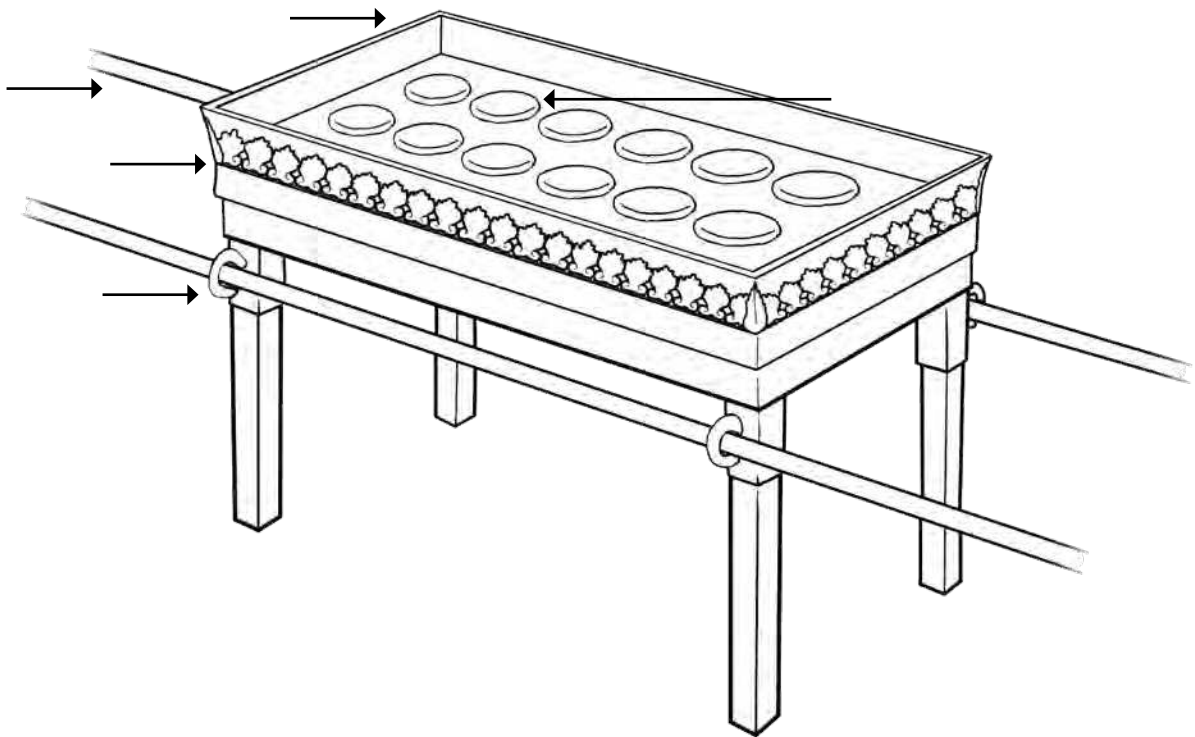
_____ long

_____ wide

_____ high

Label the following:

- (a) molding
- (b) poles
- (c) rings
- (d) rim
- (e) showbread



The table and the poles are made of _____. (v 23, 28)

The table and the poles are overlaid with _____. (v 24, 28)

The rim, molding and rings are made of _____. (v 25, 26)

Indicate how many of each: rings (v 26) _____ poles (v 28) _____

What was to be put on the table? _____ (v 30)

Exodus 25:31-39 describes the lampstand

How many of the following are there on the lampstand?

lamps _____ (v 37)

branches _____ (v 32)

cups on the branches _____ (v 33)

knobs on the branches _____ (v33)

blossoms on the branches _____ (v 33)

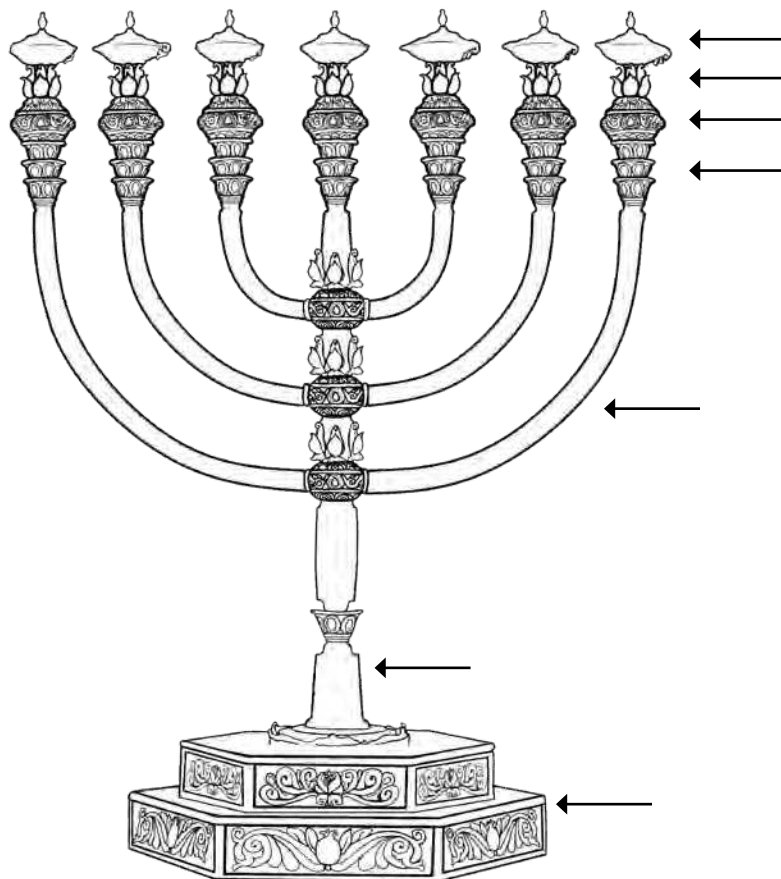
cups on the main shaft _____ (v 34)

blossoms on the main shaft _____ (v 34)

knobs on the main shaft _____ (v 34-35)

Label the following:

- (a) base
- (b) blossoms
- (c) branches
- (d) cups
- (e) knob
- (f) lamps
- (g) main shaft



What was the lampstand made of? _____ (v 31)

What type of oil was used for the lamps? _____ (Ex. 27:20)

Exodus 30:1-10 describes the altar of incense

Measurements for the altar of incense (v 2):

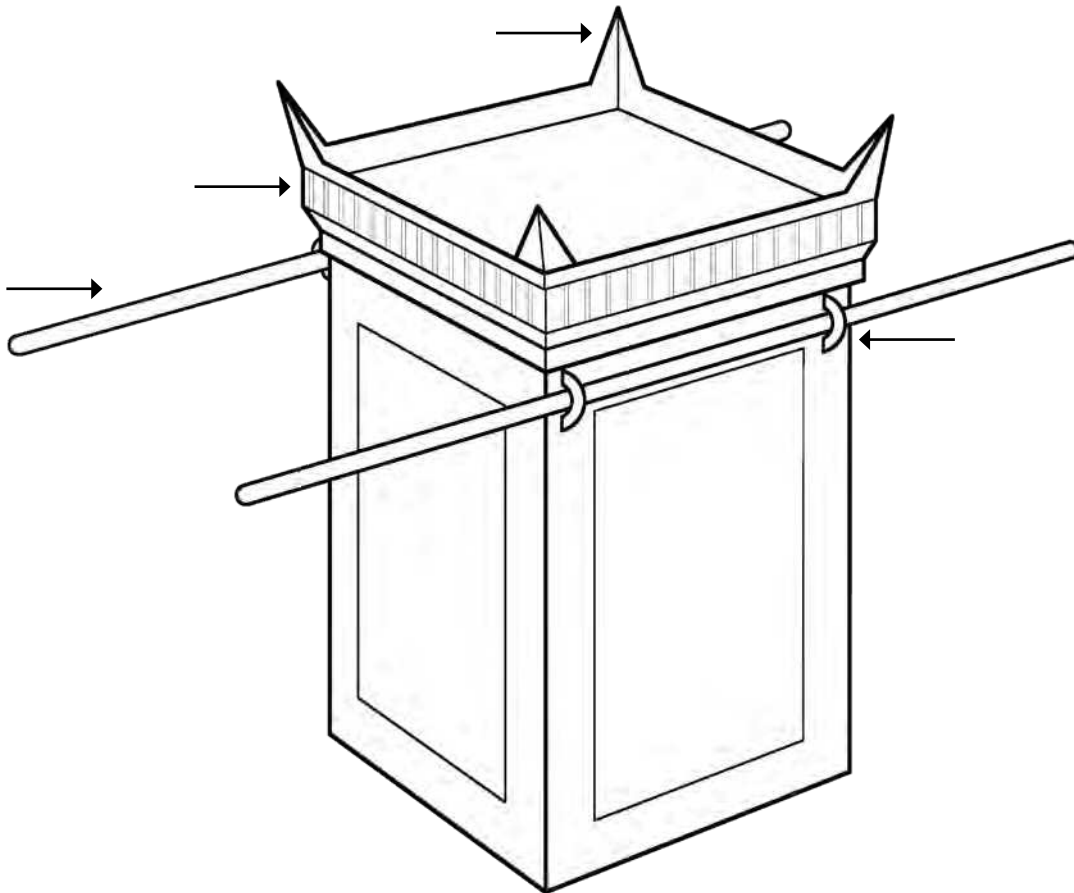
_____ long

_____ wide

_____ high

Label the following:

- (a) horns
- (b) molding
- (c) poles
- (d) rings



The altar of incense, horns and the poles are made of _____ (v 1, 2, 5)

The altar of incense, horns and the poles are overlaid with _____ (v 3, 5)

The molding and rings are made of _____ (v 3-4)

Indicate how many of each: horns (v 3) _____ rings (v 4) _____ poles (v 4) _____

What was to be burned on the altar of incense? _____ (v 7)

Which altar piece did Aharon make atonement on once a year? (v 10) _____